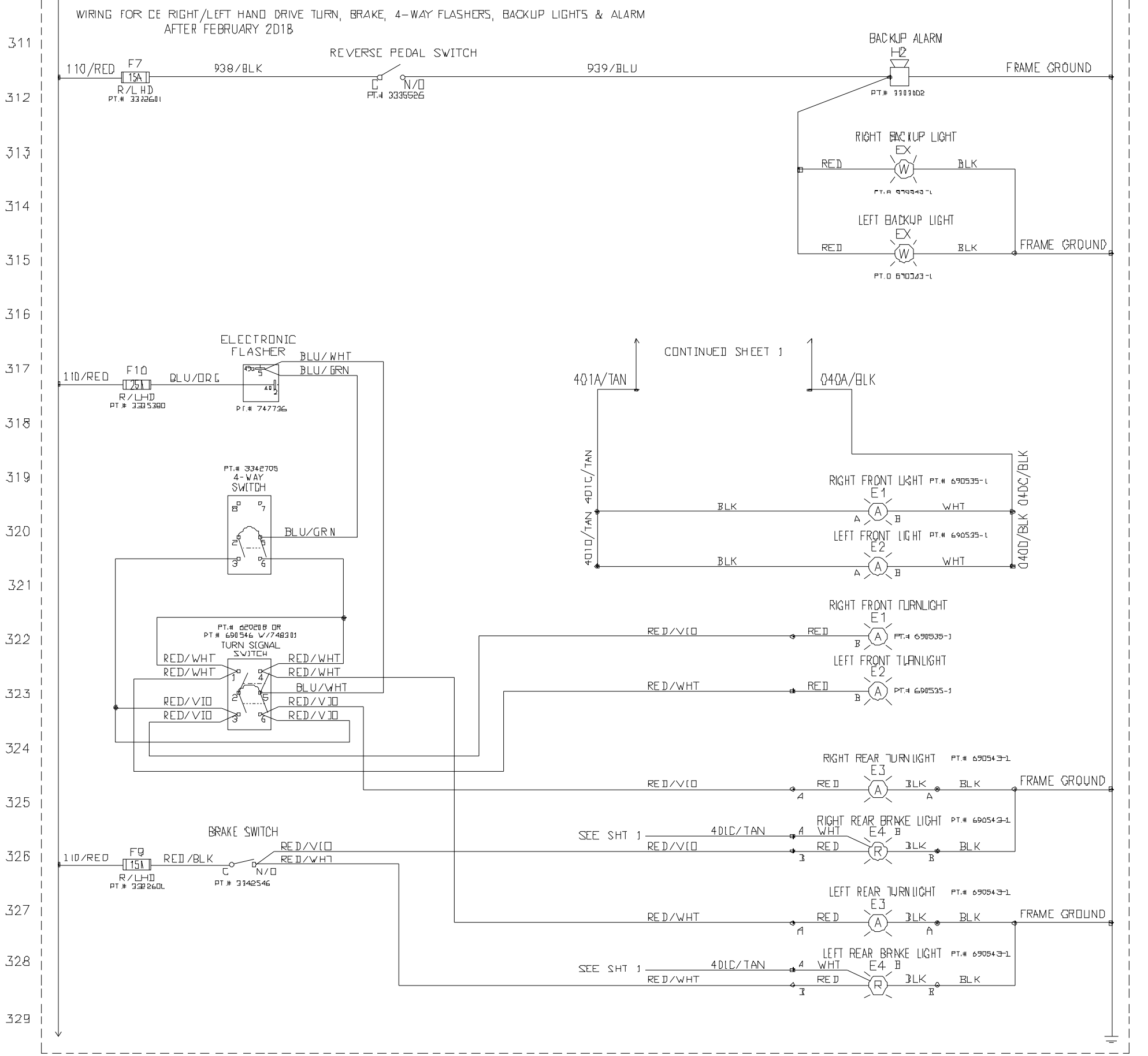


## AM9D/9X LED LIGHTING



REV	ECN	DATE	DESCRIPTION	BY
C	MN-13282	06/28/16	UPDATED SCHEMATIC, ADD SHEET 2	KHH
D	MN-13437	03/09/17	UPDATED DIESEL SCHEMATIC, SHEET 1 & 4	KHH
E	MN-13574	10/02/17	ADDED BLUE SAFETY LIGHTS	KHH
F	150297	06/11/18	ADDED GLOW PLUG LT, MERV, LED LIGHTS & SHT 3	KHH

14N845 U.S. ROUTE 20  
PINGREE GROVE,  
ILLINOIS 60140

ELECTRICAL DESIGN ENGINEER  
Jeff Pollock

CAD BY  
JWP

<b>CONFIDENTIAL</b>	TITLE <b>SCHEMATIC-ELECTRICAL AM9D/9X DIESEL CE</b>	
DATE 5/3/10	PART NUMBER 3397501	REVISION F
	PAGE NUMBER 4 OF 5	